

CompX Regulator AT

Keyless locking now with Audit Trail!

- Provides 1,500 event audit trail | • 20 users per lock | • Micro USB port | • Excel-based

Electronic push button cabinet locks can be installed easily on new or retrofit applications.



Regulator AT
with self-locking



Regulator AT
with manual locking



Self-locking and manual locking are available on both vertical and horizontal versions of Regulator AT.

Regulator AT is available in two versions: **self-locking** and **manual locking**.

Self-locking features **SlamCAM***; a spring loaded latch, which allows the user simply to close the cabinet door or drawer – no need to return the knob to the locked position.

Manual locking version requires users to rotate the knob into the unlocked and locked positions.

.....

Applications:

- ◆ cabinet doors or drawers
- ◆ storage enclosures
- ◆ file cabinets
- ◆ computer server racks

Markets:

- ◆ healthcare
- ◆ schools/universities
- ◆ laboratory
- ◆ office furniture
- ◆ retail display

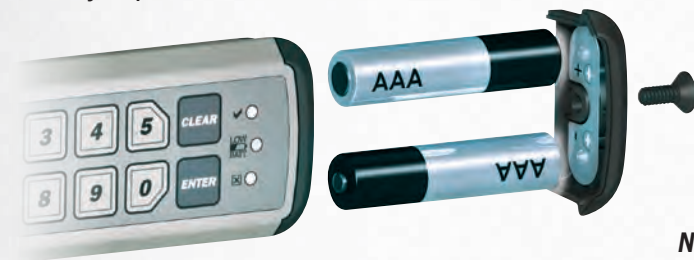
* Patent pending.

Regulator AT is easy to use

- ◆ 20 codes per lock; code length is 4-8 digits
- ◆ Available in two versions – self-locking featuring SlamCAM and manual locking

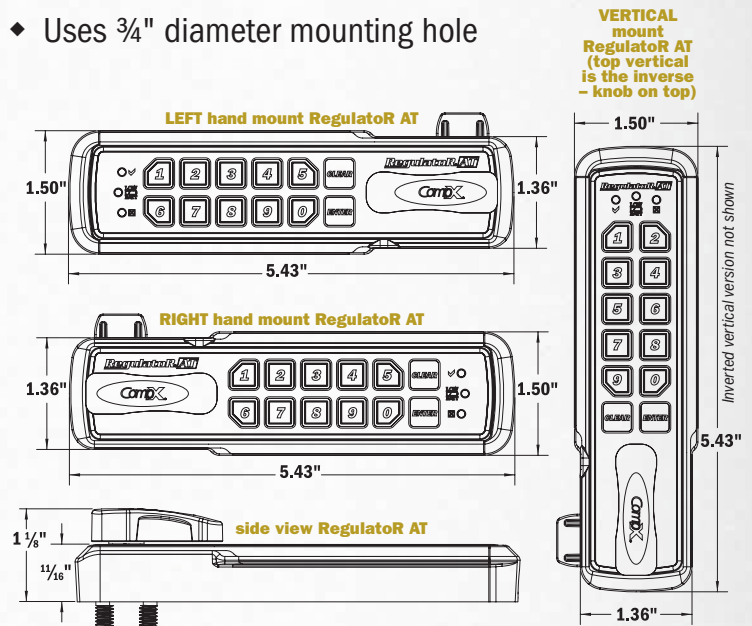
Regulator AT is easy to maintain

- ◆ 75,000 cycles; extended battery life reduces replacement and labor/maintenance costs
- ◆ Battery compartment is easily accessible from the **outside** of the cabinet
- ◆ Low battery indicator
- ◆ Non-volatile memory retains codes during battery replacement



Regulator AT is easy to install

- ◆ Four different keypad configurations: left and right hand, vertical and top vertical
- ◆ Install on new or retrofit applications
- ◆ Uses 3/4" diameter mounting hole



Note: location of door hinges determines hand of door when facing door, i.e. if hinges are on the right, order right hand mount.

Programming Regulator AT

- ◆ Each Regulator AT is capable of holding up to 20 unique codes (4 - 8 digits)
 - 1) Connect the Regulator AT to the PC via USB cable (not included)
 - 2) Open the ActiveTrack Excel spreadsheet; this is where users and databases are programmed and managed
 - 3) Connect to lock
 - 4) Begin adding users and PINs

Download Regulator AT audit trail

- 1) Connect the Regulator AT to the PC via USB cable (USB A to micro USB; not included)
- 2) Click Download Audit Trail button
- 3) Save File As box will appear
- 4) Rename this file (if required) and choose the desired location and click Save

Minimum Requirements:

Windows 7
 Microsoft Excel 2007
 USB cable required (not included) for connection to spreadsheet