

CompX Regulator®

Keyless locking made easy!

Electronic push button cabinet locks can be installed easily on new or retrofit applications.



RegulatorR with self-locking



RegulatorR with manual locking



Self-locking and manual locking are available on both vertical and horizontal versions of RegulatorR.

The RegulatorR is available in two versions: **self-locking** and **manual locking**.

Self-locking features **SlamCAM***; a spring loaded latch, which allows the user simply to close the cabinet door or drawer – no need to return the knob to the locked position.

Manual locking version requires users to rotate the knob into the unlocked and locked positions. **Daily / Shared Use Mode** allows for revolving user code; multiple users may use the RegulatorR without having to re-program the RegulatorR each time.

.....

Applications:

- ◆ cabinet doors or drawers
- ◆ lockers
- ◆ storage enclosures
- ◆ file cabinets
- ◆ computer server racks

Markets:

- ◆ healthcare
- ◆ schools/universities
- ◆ laboratory
- ◆ office furniture
- ◆ health clubs
- ◆ retail display

* Patent pending.

Regulator is easy to use

- ◆ 20 codes per lock: 19 user codes and one supervisor code; code length is 4-8 digits
- ◆ Available in two versions – self-locking featuring SlamCAM and manual locking

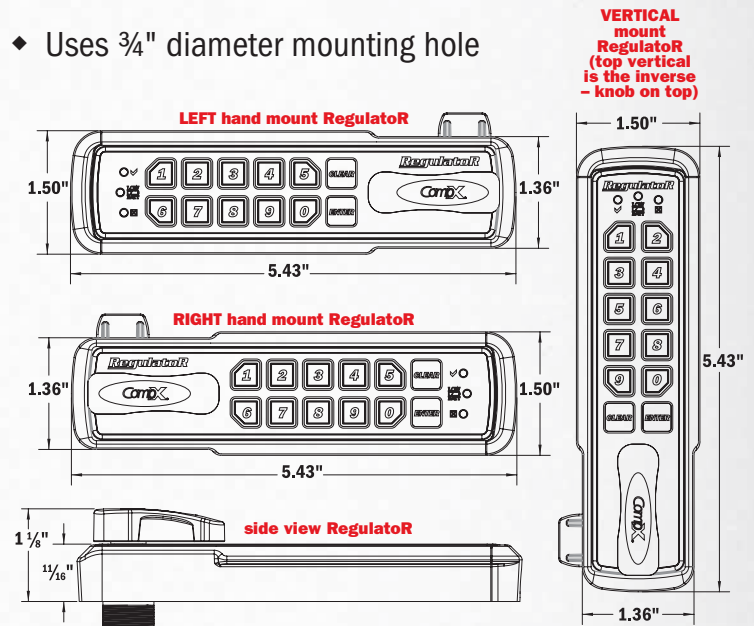
Regulator is easy to maintain

- ◆ 75,000 cycles; extended battery life reduces replacement and labor/maintenance costs
- ◆ Battery compartment is easily accessible from the **outside** of the cabinet
- ◆ Low battery indicator



Regulator is easy to install

- ◆ Four different keypad configurations: left and right hand, vertical and top vertical
- ◆ Install on new or retrofit applications
- ◆ Uses 3/4" diameter mounting hole



Self-locking	Features	Manual locking
✓	Self-locking, featuring SlamCAM	
✓	75,000 cycles - 2 AAA batteries included	✓
✓	Convenient external battery installation/removal	✓
✓	Low battery indicator	✓
✓	19 user codes and 1 supervisor code	✓
✓	ADA compliant	✓
✓	Satin chrome or matte black finish	✓
✓	Three cylinder lengths - 7/16", 1-3/16", 1-3/4"	✓
	Shared/daily use mode	✓
	Technician Code	✓
✓	Easy to clean membrane keypad	✓
✓	Installs on wood or metal cabinet doors and drawers	✓
✓	Spacers provide additional latching dimensions	

Note: location of door hinges determines hand of door when facing door, i.e. if hinges are on the right, order right hand mount.